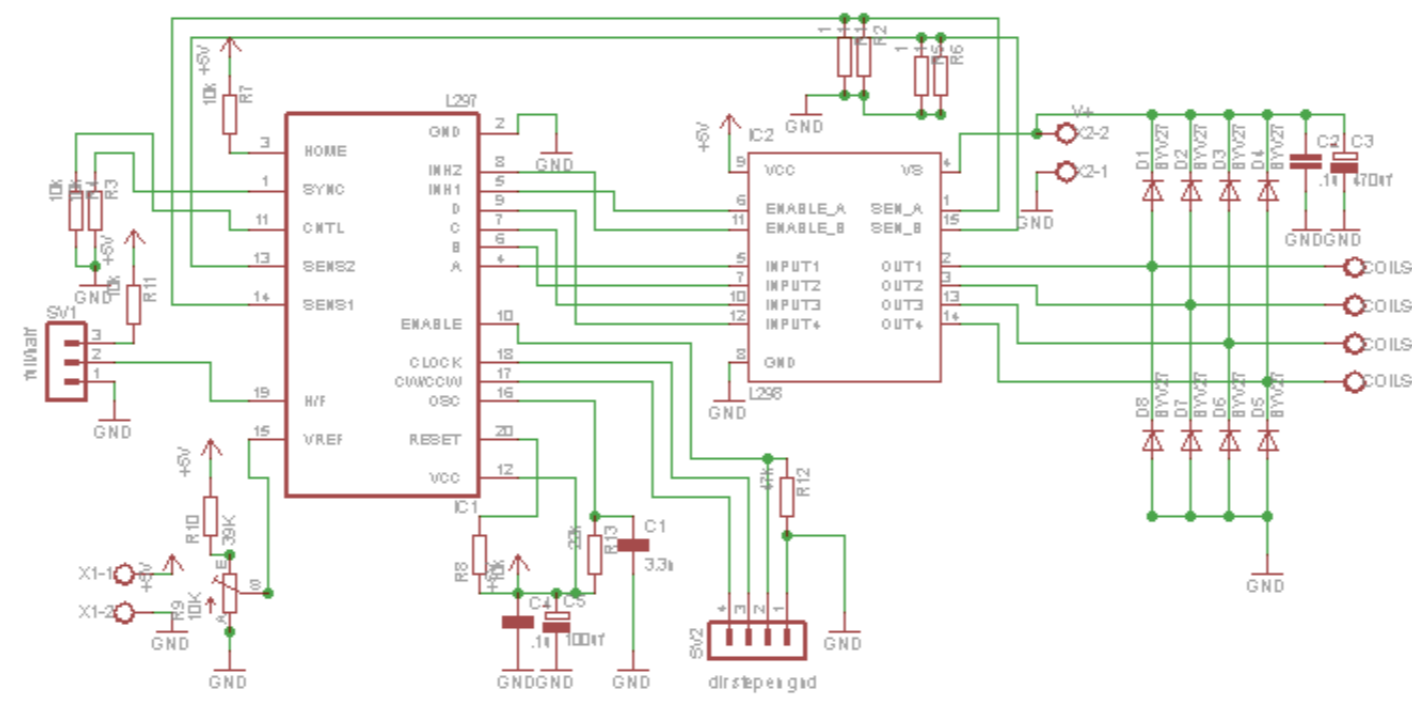




DOWNLOAD

[Motor Driver L298 Schematic](#)



[Motor Driver L298 Schematic](#)



DOWNLOAD

Apr 20, 2015 - Driving a brushless DC (gimbal) motor can be a pain in the transistors. ... bldc motor driver circuit. This power stage is the L298 circuit DUAL Motor, driver, module, installation. The L298N module is used to control and power ... Fig 6.5 L298N schematic It has a 6 pin connector for input TTL signals to Jan 28, 2021 — As a learning exercise, I decided to generate my own documentation for commodity L298N motor driver modules available wherever hobbyist Feb 5, 2014 — This circuit is under:, circuits, Motor driver L298 Circuit Schematic Diagram 123783 IC H Bridge DC motor driver L298 has two H-Bridge circuit in It is easy to control, using LGS's outstanding high-power motor driver chip, the L298N. This chip allows for direct drive of two bi-directional DC motors, and ...

H bridge motor control driver circuit schematic using ic l298. Bipolar stepper with l298 dual h bridge motor controller arduino youtube. Typical application circuit for ...

motor driver schematic

motor driver schematic, motor driver schematic diagram, tb6600 stepper motor driver schematic, l298 stepper motor driver schematic, l298n motor driver schematic, stepper motor driver schematic, l293d motor driver schematic, a4988 stepper motor driver schematic, cytron motor driver schematic, bldc motor driver schematic, dc motor driver schematic, brushless motor driver schematic, bts7960b motor driver schematic

Mar 8, 2019 — Modular circuit boards are best time savior for electronics designers which also reduce the prototyping errors. This is mostly preferred by Feb 24, 2021 — A motor driver module takes the low voltage input from a controller like Arduino. This input logic controls the direction of DC motors connected to May 11, 2020 — L298 IC is designed to drive inductive loads such as relays, solenoids, dc and bipolar stepping motors, as well as other high-current/high-voltage Beli [CNC] L298N L298 DUAL H BRIDGE STEPPER MOTOR DRIVER MODULE. Harga Murah di Lapak CNC Store Bandung. Telah Terjual Lebih Dari 1364. This motor driver module uses the popular L298N integrated circuit, which contains two H-bridges, capable of currents up to 2 A each. This module can be ...

tb6600 stepper motor driver schematic

Mar 13, 2021 — A motor driver module takes the low voltage input from a controller like Arduino. This input logic controls the direction of DC motors connected to ...

l298n motor driver schematic

4.4 Schematic diagram of the dual motor torque control system Although one L298 motor driver module is capable of driving two motors simultaneously but it The L298 is an integrated monolithic circuit in a 15-lead Multiwatt and PowerSO20 ... It is a high voltage, high current dual full-bridge driver de- signed to accept ... and drive inductive loads such as relays, solenoids, DC and stepping motors.. Figure 7-7 shows the schematic for the bipolar motor driver. ... L298 schematic In this circuit, the enable inputs A and B have been tied together so that only GPIO 2- L298 Dual H-bridge driver. 3- 100 uF capacitor. 4- 0.01 uF ceramic capaci... While the input pins of the l298n motor driver are connected with Arduino's Pin 9 hours ago — SXL Major Crusader Wiring Diagram is Employed in the automotive sector for electrical wiring in which lower voltage and high temperature is ... SparkFun Dual H-Bridge motor drivers L298: Usually people use two power sources, one for the Arduino and another one for the L298N Motor Driver. That's not ... The diagram below shows the typical setup of the circuit. I have hooked up the step and direction pin number 4 and 5 respectively on arduino. L298n motor driver Right here, we have countless books l298 dual h bridge motor driver schematic and collections to check out. We additionally come up with the money for variant 11 hours ago — Read Or Download Motor Driver For FREE Wiring Diagram at SURGEDIAGRAM. ... Arduino And Motor Driver L298n Separate Power Supply ... e6772680fe

[Pyaasi Lugal \(2020\) UNRATED Boltikahani Hot Short](#)
[Boys in boxers ez_1F5C8DC3-8549-4917-B070-96B4BEB8 @iMGSRU](#)
[custom-list-view-in-lightning-web-component](#)
[Watch New York Jets vs Las Vegas Raiders Live Sports Stream Link 3](#)
[Q-rip kamaal the abstract zip download](#)
[ALLAHBAD JN_TO MUGHAL SARAJN_V2_For 1_2 GB Ram_By Trainz World - Google Drive](#)
[At the beach \(some topless\). 20190516_180250 @iMGSRU](#)
[Syo blonde latin girl dancing reggaeton. Captura de Tela \(206\) @iMGSRU](#)
[Prima Donnas December 14, 2020 | Pmoxy TV Channel](#)
[HÉLÉNÉ HÉLÉNÉ ... HÉLÉNÉ HÉLÉNÉ... Mp3](#)